

Crosby® IP Clamps – Misc.

IPSC



The IPSC screw style clamp is for positioning, pulling and turning of plate or fabrications.

**Suitable for use in positioning & turning of steel plates and sections.
Not to be used as a lifting clamp.**

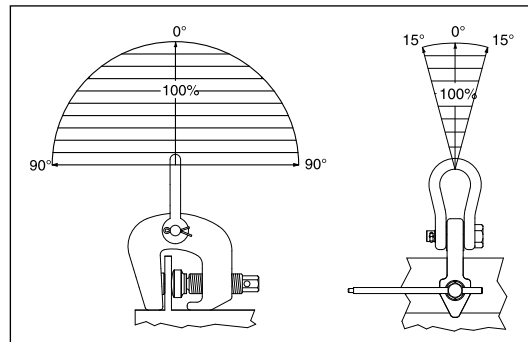
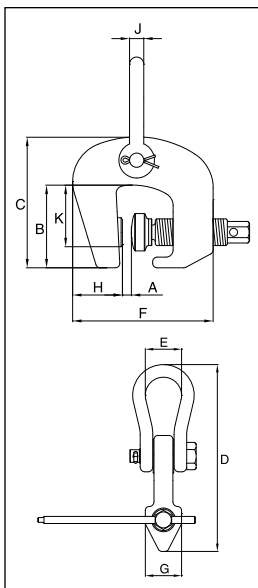
- Available in capacities of 1.5 and 3 metric tons.
- Jaw openings available: 0 to 50mm.
- Suitable for steel with a surface hardness up to 30 Rc.
- Forged alloy steel body for strength and smaller size. Forged alloy components, where required.
- Individually Proof Tested to 2 times the Working Load Limit with certification.
- Company name (CrosbyIP), logo, Working Load Limit and jaw opening permanently stamped on body.
- Each product is individually serialized, with the serial number and Proof Load test date stamped on body. Serial number is included on the test certificate with maintenance and warranty logbook.
- Maintenance replacement parts are available.
- Manufactured by a ISO 9001 facility.

Load Rated

Model IPSC

| Model | Working Load Limit (t)* | IPSC Stock No. | Weight Each (kg.) | Dimensions (mm) | | | | | | | | | |
|-------|-------------------------|----------------|-------------------|-----------------|-----|-----|-----|----|-----|----|----|----|----|
| | | | | Jaw A | B | C | D | E | F | G | H | J | K |
| IPSC | 1.5 | 2701640 | 4.0 | 0 - 32 | 91 | 143 | 229 | 45 | 154 | 46 | 52 | 16 | 52 |
| IPSC | 3 | 2701641 | 6.0 | 0 - 50 | 105 | 165 | 265 | 50 | 190 | 54 | 59 | 19 | 60 |

* Design Factor based on EN 13155 and ASME B30.20.



Provides easy attachment of selected Crosby® IP clamp to hoist hook.

- Available in three sizes in the IP10 and IPU10 with capacities from .5 to 12 metric tons.
- Assembly consists of welded alloy master link, Grade 80 chain and A-1337 Lok-A-Loy for attachment to the clamp hoisting eye.
- Individually Proof Tested to 2.5 times the Working Load Limit of Grade 80 chain with certification.
- Company name or logo and frame number permanently stamped on link.
- Locking system provides for simple assembly - no special tools needed.
- Finish - Red Paint.
- Manufactured by an ISO 9001 facility.

NOTE: Not intended to be used as a chain sling.



The IP5000 Stinger Assembly is designed to be used as a connecting link between the clamp and the hoist hook.

Model IP5000

| Frame Size | Chain Size | | Crosby® IP10 and IPU10 Clamp Sizes (t)* | IP5000 Stock No. | Weight Each (kg.) | Dimensions (mm) | | | |
|------------|------------|-------|---|------------------|-------------------|-----------------|------|-----|-----|
| | (mm) | (in.) | | | | A | B | C | D |
| 1 | 8 | 5/16 | 0.5 - 1 | 2701695 | .95 | 13.0 | 59.9 | 100 | 315 |
| 2 | 13 | 1/2 | 2 - 4.5 | 2701704 | 3.4 | 22.1 | 89.9 | 144 | 484 |
| 3 | 22 | 7/8 | 6 - 12 | 2701713 | 14.7 | 36.1 | 140 | 234 | 820 |

* The working load of the assembly is based on working load limit of the selected clamp. Ultimate load is 5 times the Working Load Limit.

